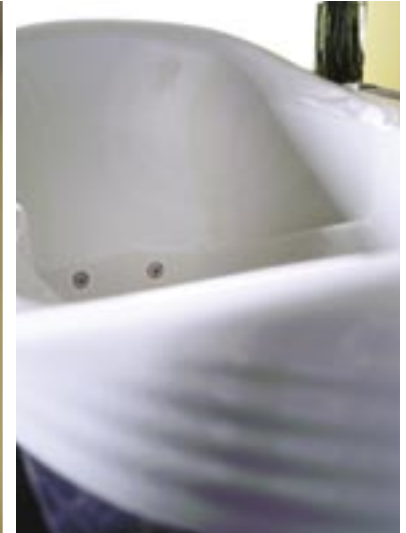


# fresco® whirlpool bath and soaking bath



fresco. the ancient art of painting on moist plaster surfaces. where colors penetrate, blend, soften—dissolve.



Like its namesake, the Fresco® whirlpool bath is pure art. An interpretation of the classic, porcelain high-backed tubs of yesteryear, where one would lazily linger in deep water—the deepest possible—for deep relaxation. Its cradle-like shape supports, cradles the shoulders and neck for total indulgence. Also available as an air bath and soaking bath.

#### features:

- 4 fully adjustable TheraPro™ jets with a maximum flow rate of 30 GPM per jet
- 2 directionally adjustable AccuPro™ foot jets
- Sculpted armrest
- Contoured backrest
- Handrails
- Energy-efficient, self-draining pump
- Patented Silent Air™ induction system
- Slip-resistant bottom
- Exclusive Tru-Level™ self-leveling base system

#### fresco® whirlpool bath

model number: **BM90 (center drain RH pump), BM95 (center drain LH pump)**

exterior dimensions:  
**71½" long x 42" wide x 27¼" high**

interior dimensions:  
**47" long x 25" wide**

# of Jets/type of Jets:  
**4 TheraPro™ Jets, 2 AccuPro™ Foot Jets**

operating gallons:  
**63 gallons**

#### fresco® soaking bath

model number: **BM85**

exterior dimensions:  
**71½" long x 42" wide x 27¼" high**

interior dimensions:  
**47" long x 25" wide**

*Detail: The Fresco® whirlpool bath's high, molded backrest supports a tired head and shoulders, while Jacuzzi's exclusive AccuPro™ jets deliver an even, perfectly pressured foot massage.*





# Fresco™ Whirlpool Bath

Model: BM90, BM95

# Fresco™ Bath

Model: BM85

## Ordering Information

Product Code:

BM90 Fresco™ Whirlpool Bath  
Right Hand

BM95 Fresco™ Whirlpool Bath  
Left Hand

BM85 Fresco™ Bath

- Center Drain Location
- Accessories / Hardware:
  - Trip-Lever Drain Kit: #X559
  - Rotary Drain Kit, 26" Cable: #8730
  - HTC Jet Trim Kit: #D095
  - BMH Jet Trim Kit: #J869
- Trim Kit Finishes Available:
  - (827) - Chrome
  - (898) - Brushed Chrome
  - (815) - Satin Nickel
  - (829) - Bright Brass
  - (805) - Platinum
  - (826) - Brushed Nickel
  - (849) - Oil Rubbed Bronze

## Installation Notes

Refer to installation instructions included with fixture before beginning installation. Please confirm product availability and specifications before commencing with any installation work.

PRODUCT SPECIFICATIONS AND AVAILABILITY ARE SUBJECT TO CHANGE WITHOUT NOTICE.

Electrical Components and Electrical Specifications do not apply to non-jetted baths.

## Technical Specifications

### Dimensions

71-1/2" L x 42" W x 27-1/4" H  
(1816 mm) L x (1067 mm) W x (692 mm) H

### Drain/Overflow

A: 20-1/8" (511 mm) B: 11-3/4" (299 mm)

### Cutout

Template Provided

### Total Weight

BM90, BM95: 921 lb (419 kg) / 44 lb/sq. ft. (220 kg/m<sup>2</sup>)  
BM85: 896 lb (406 kg) / 43 lb/sq. ft. (209 kg/m<sup>2</sup>)

### Operating Gallonage

63 U.S. gal (239 liters)

### Product Weight

BM90, BM95: 146 lb (66 kg)  
BM85: 121 lb (55 kg)

### Skirt Mounting

Not Available

### Electrical Specifications Models BM90, BM95 only

Requires a dedicated GFCI protected separate circuit.

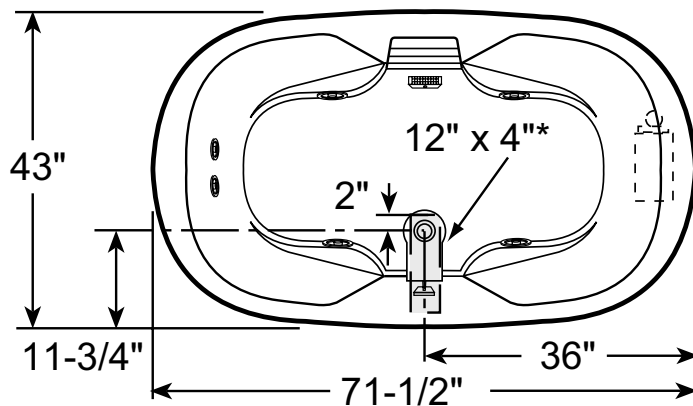
Motor/Pump: 120 VAC, 15 AMP, 60 Hz.

RapidHeat™: 120 VAC, 15 AMP, 60 Hz.

### Heater (Optional) Models BM90, BM95 only

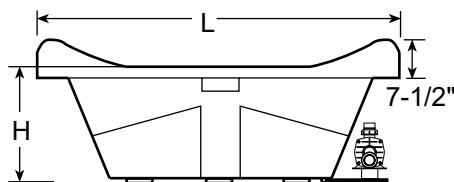
Requires a dedicated GFCI protected separate circuit.

RapidHeat™: P/N S750000

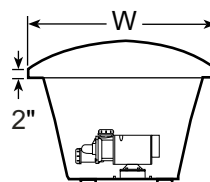


Product Shown: Fresco™ Whirlpool Bath Right Hand Shown Model: BM90

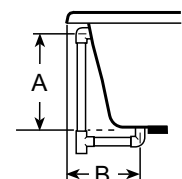
\* Measurements inside unit represent cutout in floor to allow for drain/overflow.



SIDE VIEW



END VIEW



DRAIN/OVERFLOW